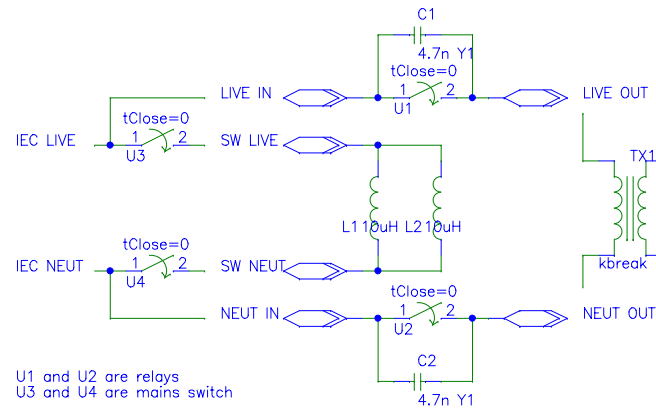


Single Pole Mains Switch Version

U1 and U2 are relays  
U3 is mains switch



Double Pole Mains Switch Version

U1 and U2 are relays  
U3 and U4 are mains switch