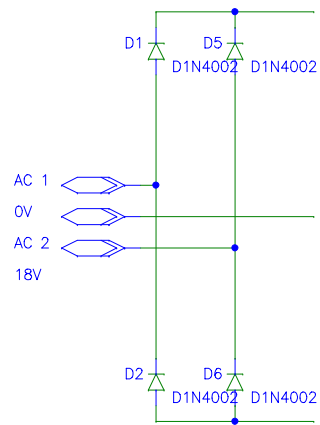
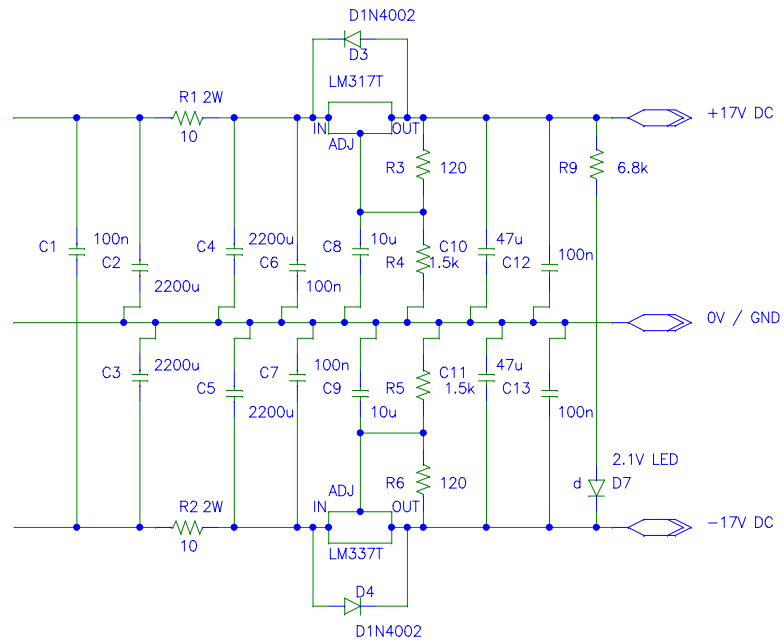


AC Plugpack Version



Centre Tapped Transformer Version



Replace 1N4002 with MBR1100 / 11DQ10 for sensitive applications  
 For 9V output: replace R4,6 1.5k with 750R  
 and R9 6.8k with 3.3k  
 and use 12V transformer